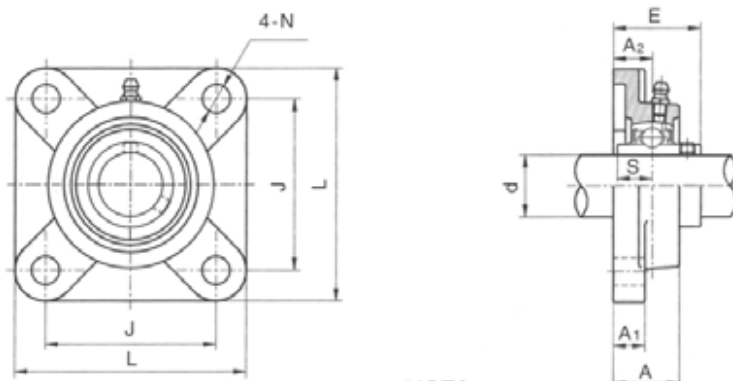


UCP2

UCP2 Series

Part No.	Basic Dimensions (mm)											N.W. (kg)
	d	H	L	A	J	N	N1	H1	H2	B	S	
UCP205G	25	36.5	140	38	105	13	19	16	70	34.1	14.3	0.91
UCP206G	30	42.9	165	48	121	17	21	18	83	38.1	15.9	1.32
UCP207G	35	47.6	167	48	127	17	21	19	94	42.9	17.5	1.72
UCP208G	40	49.2	184	54	137	17	23	19	100	49.2	19.0	2.14
UCP209G	45	54	190	54	146	17	23	20	108	49.2	19.0	2.45
UCP210G	50	57.2	206	60	159	20	25	22	114	51.6	19.0	3.10
UCP211G	55	63.5	219	60	171	20	25	22	126	55.6	22.2	3.85
UCP212G	60	69.8	241	70	184	20	25	25	138	65.1	25.4	5.10



UCF2

UCF2 Series

Part No.	Basic Dimensions (mm)										N.W. (kg)
	d1	L	A	J	N	A1	A2	A0	B	S	
UCF205G	25	95	27	70	12	14	16	35.7	34.0	14.3	0.82
UCF206G	30	108	31	83	12	14	18	40.2	38.1	15.9	1.13
UCF207G	35	117	34	92	14	16	19	44.4	42.9	17.5	1.42
UCF208G	40	130	36	102	16	16	21	51.2	49.2	19.0	1.87
UCF209G	45	137	38	105	16	18	22	52.2	49.2	19.0	2.15
UCF210G	50	143	40	111	16	18	22	54.6	51.6	19.0	2.45
UCF211G	55	162	43	130	19	20	25	58.4	55.6	22.2	3.40
UCF212G	60	175	48	143	19	20	29	68.7	65.1	25.4	4.17